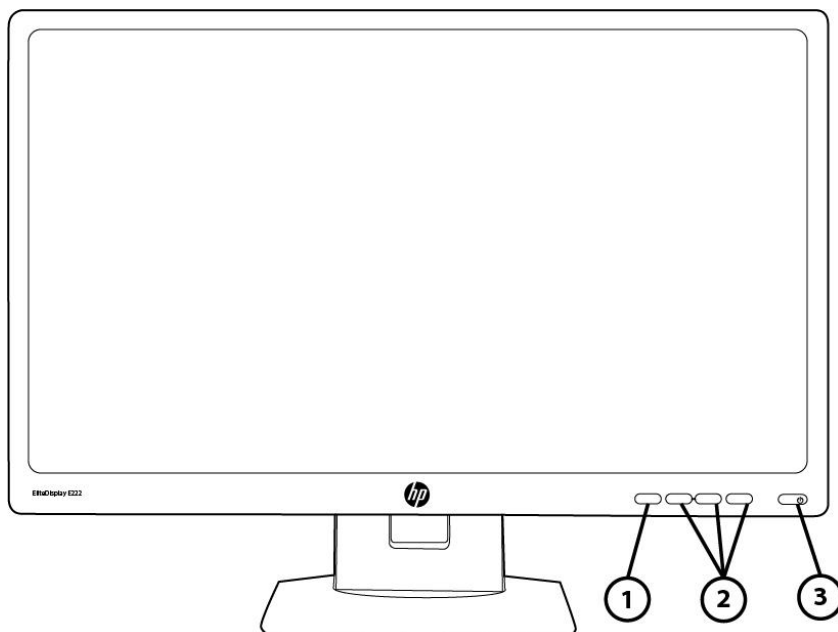


Overview

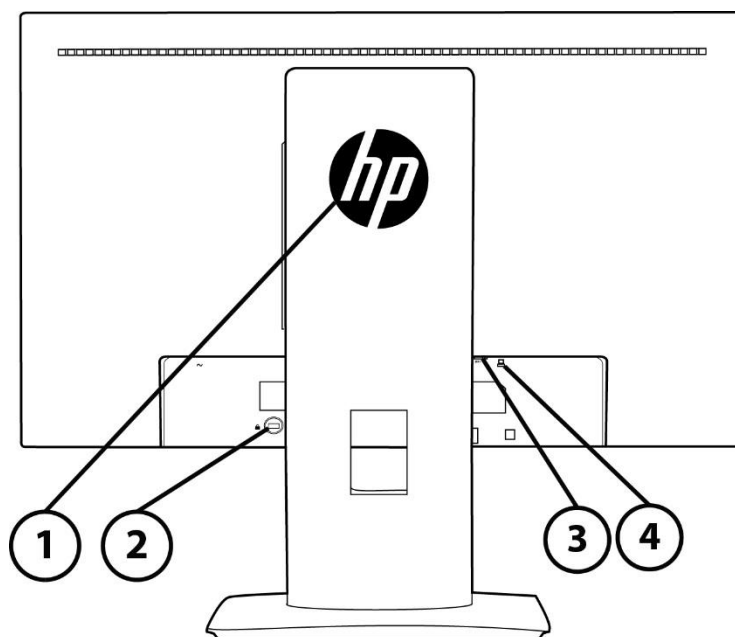
HP EliteDisplay E222 21.5-inch Monitor



1. Menu button
2. Dynamic OSD function buttons

3. Power button and LED

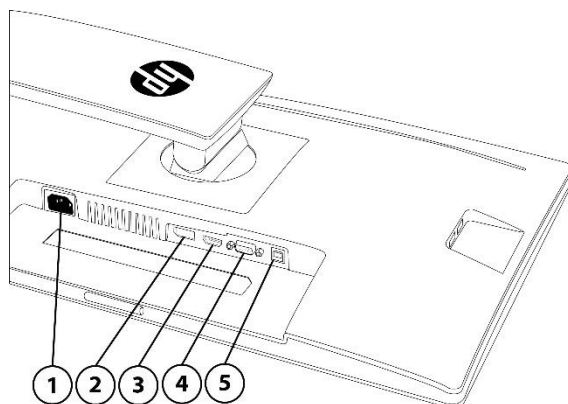
Note: You can reconfigure the Function buttons in the OSD menu to quickly select the most commonly used operations.



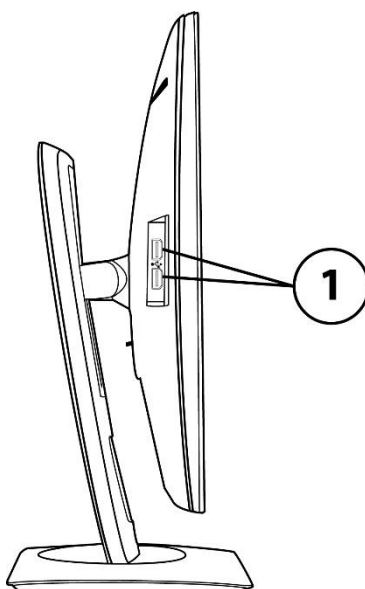
1. VESA mounting pattern available upon removal of column stand
2. Security lock slot

3. VGA input
4. USB 2.0 upstream

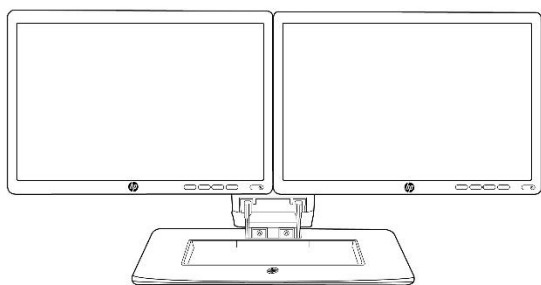
Overview



1. Power input
2. DisplayPort v 1.2
3. HDMI input
4. VGA input
5. USB 2.0 upstream



1. USB 2.0 ports



HP EliteDisplay E222 and HP Adjustable Dual Display Stand dual monitor configuration shown. (Note: monitors and stands sold separately)

Your ideal office configuration begins with two HP EliteDisplay E222 monitors combined with an HP Adjustable Dual Display Stand (AW664AA) for a small footprint, high productivity work solution.*

*NOTE: Multi-monitor support is dependent on your system. Check your user guide or technical specifications for compatibility. Optional accessories may be required.

Overview

Overview

Be productive and comfortable with the HP EliteDisplay E222 21.5-inch Monitor, a Full HD IPS display that is Certified for Windows 10. Experience crisp, clear color for all of your projects and excellent ergonomic adjustability at an attractive price point.

Key features:

- Collaborate freely with 178-degree IPS views and Full HD 1920 x 1080 resolution¹ that makes your colors and content pop.
- Make yourself comfortable with adjustable tilt, height, swivel, and pivot settings.
- Enjoy easy connectivity to PCs and everyday devices with HDMI, DisplayPort, VGA, and USB connections.
- Attach your HP PC or select HP Thin Client directly behind the display.²
- Connect the display to your PC or notebook and experience all Windows 10 has to offer.
- Get an intelligent, energy-efficient design that is ENERGY STAR[®] certified, EPEAT[®] Gold registered³, and meets TCO Certified Edge requirements with 85% Post-Consumer Recycled plastics.
- Design the screen for how you work with HP Display Assistant software.
- Customize a complete solution with HP accessories⁴ designed and tested to work with your display.
- Get three years of service and support, and extend your protection with optional HP Care Packs.⁵

1 All performance specifications represent the typical specifications provided by HP's component manufacturers; actual performance may vary either higher or lower.

2 Requires HP PC Mounting Bracket for Monitors, sold separately. See product QuickSpecs for exact PC and thin client compatibility.

3 EPEAT[®] registered where applicable. EPEAT registration varies by country. See www.epeat.net for registration status by country.

4 Each sold separately.

5 Sold separately. Service levels and response times for HP Care Packs may vary depending on your geographic location. Service starts on date of hardware purchase. Restrictions and limitations apply. For details, visit www.hp.com/go/cpc. HP Services are governed by the applicable HP terms and conditions of service provided or indicated to Customer at the time of purchase. Customer may have additional statutory rights according to applicable local laws, and such rights are not in any way affected by the HP terms and conditions of service or the HP Limited Warranty provided with your HP Product.

Technical Specifications

Models:

M1N96AA - HP EliteDisplay E222 21.5-inch Monitor

Panel	<p>Type 21.5-inch IPS w/LED backlight</p> <p>Viewable Image Area (diagonal) 54,61 cm (21.5-inch) widescreen; diagonally measured</p> <p>Panel Active Area (W × H) 47,06 x 26,77 cm (18.74 x 10.54 in)</p> <p>Resolution 1920 x 1080 @ 60 Hz</p> <p>Aspect Ratio 16:9</p> <p>Viewing Angle* Up to 178° horizontal/178° vertical typical</p> <p>Brightness* 250 cd/m²</p> <p>Contrast Ratio (Typical)* 1000:1 Static; 5,000,000:1 Dynamic (DCR)</p> <p>Response Times* 7 ms gray to gray</p> <p>Pixel Pitch* 0.24795 (H) x 0.24795 (V)mm</p> <p>Pixels Per Inch (PPI)* 102</p> <p>Backlight Lamp Life (to half brightness)* 30,000 hours minimum</p> <p>Color Support* Up to 16.7 million colors with the use of FRC technology</p> <p>Color Gamut (Typical)* 72%</p>
	<p>* Performance specifications represent the typical specifications provided by HP's component manufacturers; actual performance may vary either higher or lower.</p>
User Controls	<p>Buttons or Switches Dynamically adjust depending upon OSD screen selected</p> <p>Languages 10 (English, Spanish, German, French, Italian, Netherlands, Portuguese, Japanese, T-Chinese and S-Chinese)</p> <p>On Screen Display (OSD) User Controls Brightness, Contrast, Color Control, Input Control, Image Control, Power Control, Menu Control, Management, Language, Information</p>
Signal Interface/ Performance	<p>Horizontal Frequency 30–80 kHz</p> <p>Vertical Frequency 50–75 Hz</p> <p>Native Resolution 1920 x 1080 @ 60 Hz*</p> <p>*The video card of the connected PC must be capable of supporting 1920 x 1080 at 60 Hz and include 1VGA or 1 DisplayPort or 1 HDMI outputs to drive the monitor at the Preferred Mode.</p> <p>Preset Graphic Modes (non-interlaced)</p> <ul style="list-style-type: none"> 1920 X 1080 @ 60 Hz 1680 X 1050 @ 60 Hz 1600 X 900 @ 60 Hz 1440 X 900 @ 60 Hz 1280 X 1024 @ 60 Hz 1280 X 800 @ 60 Hz 1280 X 720 @ 60 Hz 1024 X 768 @ 60 Hz 800 X 600 @ 60 Hz

Technical Specifications

640 X 480 @ 60 Hz

	Maximum Pixel Clock Speed	170 MHz	
	Anti-Glare	Yes	
Video/Other Inputs	Plug and Play	Yes	
	Input Connectors	(1) DisplayPort 1.2, (1) HDMI, (1) VGA HDCP support on DisplayPort and HDMI	
	USB	(3) USB 2.0 (two downstream and one upstream)	
	Cables Included	(1) DisplayPort 1,8 m (5.9 ft); (1) VGA 1,8 m (5.9 ft); (1) USB cable 1,8 m (5.9 ft)	
	Audio	N/A	
Multimedia	Speakers	N/A	
Power	Power Supply	Internal	
	Input Power	100 - 240 VAC 50/60 Hz	
	Maximum Power	35 W	
	Typical Power	23 W	
	Sleep Power	0.5 W (standby)	
	Power Cable Length	1.9 m (6.2 ft)	
Mechanical	Dimensions (W × D × H)	Unpacked w/stand	51,37 x 18,9 x 33,35 cm (0 degrees & lowest position) (20.22 x 7.44 x 13.13 in)
			51,37 x 18,9 x 48,90 cm (0 degrees & highest position) (20.22 x 7.44 x 19.25 in)
		Unpacked w/o stand (head only)	51,37 x 4,98 x 31,69 cm (20.22 x 1.96 x 12.48 in)
		Packaged	60 x 22,5 x 40 cm (23.62 x 8.86 x 15.75 in)
	Weight	Head Only	3,26 kg (7.19 lb)
		Unpacked with stand	5,27 kg (11.62 lb)
		Packaged	7,18 kg (15.83 lb)
Ergonomic Features	Detachable Stand	Yes	
	Height Adjustment	Yes, 150 mm	
	Tilt Range	-5° to +25°	
	Swivel	±45°	
	Pivot	90°	
Environmental	Temperature - Operating	5° to 35° C (41° to 95° F)	
	Temperature - Non-operating	-20° to 60° C (-4° to 140° F)	

Technical Specifications

Humidity - Operating	20% to 80% non-condensing
Humidity - Non-operating	5% to 95%, 38.7° C max wet-bulb
Altitude - Operating	0 to 5,000 m (0 to 16,404 ft)
Altitude - Non-operating	0 to 12,192 m (0 to 40,000 ft)
White LED Backlights	Yes
CCFL Panel	No
Arsenic-Free Display Glass	Yes
Low Halogen¹	Yes (except cables)
Mercury-Free Display Backlighting	Yes

Environmental Data

Eco-Label Certifications & declarations

This product has received or is in the process of being certified to the following approvals and may be labeled with one or more of these marks:

- IT ECO declaration
- US ENERGY STAR®
- TCO 6.0 / TCO Certified Edge
- EPEAT® <Gold> registered in the United States. See <http://www.epeat.net> for registration status in your country

Energy Consumption (in accordance with US ENERGY STAR® test method)

	115VAC, 60Hz	230VAC, 50Hz	100VAC, 60Hz
Normal Operation	17.6 W	17.6 W	17.7 W
Sleep	0.26 W	0.33 W	0.26 W
Off	0.17 W	0.23 W	0.17 W

Heat Dissipation*

	115VAC, 60Hz	230VAC, 50Hz	100VAC, 60Hz
Normal Operation	60 BTU/hr	60 BTU/hr	61 BTU/hr
Sleep	1 BTU/hr	1 BTU/hr	1 BTU/hr
Off	1 BTU/hr	1 BTU/hr	1 BTU/hr

*NOTE: Heat dissipation is calculated based on the measured watts, assuming the service level is attained for one hour.

Additional Information

- This product is in compliance with the Restrictions of Hazardous Substances (RoHS) directive - 2002/95/EC.
- This HP product is designed to comply with the Waste Electrical and Electronic Equipment (WEEE) Directive – 2002/96/EC.
- This product is in compliance with California Proposition 65 (State of California; Safe Drinking Water and Toxic Enforcement Act of 1986).
- This product is in compliance with the IEEE 1680 (EPEAT) standard at the Gold level, see www.epeat.net
- Plastics parts weighing over 25 grams used in the product are marked per ISO 11469 and ISO1043.
- This product contains 43.8 % post-consumer recycled plastic (by wt.)
- This product is 98.3 % recycle-able when properly disposed of at end of life.

Technical Specifications

Packaging Materials	External:	PAPER/Cardboard & misc	700 g
	Internal:	PLASTIC/EPE-Expanded Polyethylene	200 g
		PLASTIC/Polyethylene low density	65 g

RoHS Compliance

Hewlett-Packard is committed to compliance with all applicable environmental laws and regulations, including the European Union Restriction of Hazardous Substances (RoHS) Directive. HP's goal is to exceed compliance obligations by meeting the requirements of the RoHS Directive on a worldwide basis. By July 1, 2006, RoHS substances will be virtually eliminated (virtually = to levels below legal limits) for all HP electronic products subject to the RoHS Directive, except where it is widely recognized that there is no technically feasible alternative (as indicated by an exemption under the EU RoHS Directive).

Material Usage

This product does not contain any of the following substances in excess of regulatory limits (refer to the HP General Specification for the Environment at <http://www.hp.com/hpinfo/globalcitizenship/environment/pdf/gse.pdf>):

- Asbestos
- Certain Azo Colorants
- Certain Brominated Flame Retardants – may not be used as flame retardants in plastics
- Cadmium
- Chlorinated Hydrocarbons
- Chlorinated Paraffins
- Formaldehyde
- Halogenated Diphenyl Methanes
- Lead carbonates and sulfates
- Lead and Lead compounds
- Mercuric Oxide Batteries
- Nickel – finishes must not be used on the external surface designed to be frequently handled or carried by the user.
- Ozone Depleting Substances
- Polybrominated Biphenyls (PBBs)
- Polybrominated Biphenyl Ethers (PBBEs)
- Polybrominated Biphenyl Oxides (PBBOs)
- Polychlorinated Biphenyl (PCB)
- Polychlorinated Terphenyls (PCT)
- Polyvinyl Chloride (PVC) – except for wires and cables, and certain retail packaging has been voluntarily removed from most applications.
- Radioactive Substances
- Tributyl Tin (TBT), Triphenyl Tin (TPT), Tributyl Tin Oxide (TBTO)

Packaging

HP follows these guidelines to decrease the environmental impact of product packaging:

- Eliminate the use of heavy metals such as lead, chromium, mercury and cadmium in packaging materials.
- Eliminate the use of ozone-depleting substances (ODS) in packaging materials.
- Design packaging materials for ease of disassembly.
- Maximize the use of post-consumer recycled content materials in packaging materials.
- Use readily recyclable packaging materials such as paper and corrugated materials.
- Reduce size and weight of packages to improve transportation fuel efficiency.
- Plastic packaging materials are marked according to ISO 11469 and DIN 6120 standards.

Technical Specifications

End-of-life Management and Recycling

Hewlett-Packard offers end-of-life HP product return and recycling programs in many geographic areas. To recycle your product, please go to: <http://www.hp.com/go/reuse-recycle> or contact your nearest HP sales office. Products returned to HP will be recycled, recovered or disposed of in a responsible manner.

The EU WEEE directive (2002/95/EC) requires manufacturers to provide treatment information for each product type for use by treatment facilities. This information (product disassembly instructions) is posted on the Hewlett Packard web site at: <http://www.hp.com/go/recyclers>. These instructions may be used by recyclers and other WEEE treatment facilities as well as HP OEM customers who integrate and re-sell HP equipment.

Hewlett-Packard Corporate Environmental Information

For more information about HP's commitment to the environment:

Global Citizenship Report

<http://www.hp.com/hpinfo/globalcitizenship/gcreport/index.html>

Eco-label certifications

<http://www.hp.com/hpinfo/globalcitizenship/environment/productdesign/ecolabels.html>

ISO 14001 certificates:

<http://www.hp.com/hpinfo/globalcitizenship/environment/operations/envmanagement.html>

Options

HP Adjustable Dual Display Stand—Part Number AW664AA

Premium space-saving dual screen solution provides access to more monitor real estate and makes it possible to manage multiple applications simultaneously. Weight adjustable for dual monitors from 17-24". Rotate displays into portrait/landscape positions.

HP Single Monitor Arm—Part number BT861AA

The flexible design of the HP Single Monitor Arm provides a seemingly endless range of display adjustments with an amazing 13 inches of lift, 75 degrees of tilt, and 360 degrees of pan and rotation – all at your fingertips -- helping you stay comfortable and productive throughout the day.

HP LCD Monitor Quick Release — Part number EM870AA⁴

An easy-to-use, VESA-compliant, LCD monitor mounting solution that allows you to quickly and securely attach an LCD monitor to a variety of stands, brackets, arms or wall mounts. For more information, refer to this product's QuickSpecs document.

HP LCD Speaker Bar—Part number NQ576AA

Powered directly by the connected PC, the Speaker Bar seamlessly attaches to the monitor's lower bezel to bring full audio support to select HP flat panel monitors. Features include dual speakers with full sound range and dual external headphone jacks. Sold separately. For more information, refer to the product's QuickSpecs.

HP Business PC Security Lock v2 Kit— Part number N3R93AA

Help prevent chassis tampering and secure your PC and display in workspaces and public areas with the HP Business PC Security Lock v2 Kit.

HP PC Mounting Bracket for Monitors— Part number N6N00AA

Customize an altogether better solution with the HP PC Mounting Bracket for Monitors, which lets you attach your HP Desktop Mini, HP Chromebox, or select HP Thin Client directly behind select HP Z Displays and EliteDisplays.

Technical Specifications

	HP Dual Output USB Graphics Adapter – Part Number C5U89AAHP UHD USB Graphics Adapter — Part number N2U81AA	You can boost your productivity by creating a dual-monitor setup with the HP Dual Output USB Graphics Adapter – featuring both DVI-I and DisplayPort inputs to drive displays at high resolutions through a single USB 3.0 connection to your PC. Just plug the adapter into any USB 2.0 or 3.0 port on your PC and connect the DisplayPort connector on the other end to your EliteDisplay display.
What’s in the box?	Monitor and Accessories	HP EliteDisplay E222 21.5-inch Monitor; AC power cord (1.8m), 5.9 ft; DisplayPort cable (1.8m), 5.9 ft; VGA cable (1.8m); 5.9 ft, USB cable (1.8m), 5.9 ft
What’s in the box?	Documentation	CD (includes user guide, warranty, drivers)
	Software	HP Display Assistant
Other	User Guide Languages	English, Arabic, S. Chinese, T. Chinese, Czech, Danish, Dutch, Finnish, French, German, Greek, Hungarian, Italian, Japanese, Kazakh, Korean, Norwegian, Polish, Brazilian, Portuguese, Russian, Slovenian, Spanish, Swedish, and Turkish.
	Warranty Languages	English, Arabic, S. Chinese, T. Chinese, Czech, Danish, Dutch, Finnish, French, German, Greek, Hungarian, Italian, Japanese, Kazakh, Korean, Norwegian, Polish, Brazilian, Portuguese, Russian, Slovenian, Spanish, Swedish, and Turkish.
	Color	Black Bezel; Silver Stand
	VESA Mounting	100 mm VESA mount
	Security Lock-Ready	Yes
	Country of Origin	China
Certification and Compliance	TCO Certified Edge, CEL Grade 1, Microsoft WHQL Certification (Windows 8.1 and Windows 7), ENERGY STAR® Qualified, EPEAT® Gold ² , CE, CB, KC, KCC, NOM, PSB, ICE, TUV-S, ISO 9241-307, EAC, UL, CSA, PSB, ISC, CCC, CEL, CECP, SEPA, ISC, VCCI, FCC, BSMI, Vietnam MEPS, Australian-New Zealand MEPS, WEEE	
Compatibility	Compatible with platforms using the VESA standard video modes. Recommended for use with HP products.	
Service and Warranty	Protected by HP, including a 3 year standard limited warranty. Optional HP Care Pack Services are extended service contracts that extend your protection beyond the standard warranties. ³	

© Copyright 2015 Hewlett-Packard Development Company, L.P.

ENERGY STAR is a registered mark owned by the U.S. government. All specifications represent the typical specifications provided by HP's component manufacturers; actual performance may vary either higher or lower. The only warranties for HP products and services are set forth in the express warranty statements accompanying such products and services. Nothing herein should be construed as constituting an additional warranty. HP shall not be liable for technical or editorial errors or omissions contained herein.

Technical Specifications

1. External power supplies, power cords, cables and peripherals are not Low Halogen. Service parts obtained after purchase may not be Low Halogen.
2. EPEAT® Gold where HP registers commercial display products. See www.epeat.net for registration status in your country.
3. Service levels and response times for HP Care Pack Services may vary depending on your geographic location. Service starts from date of hardware purchase. Restrictions and limitations apply. See <http://www.hp.com/go/cpc> for details.
4. The HP Quick Release has been designed to support a maximum of up to 24 lbs (10.9 kg) for all devices mounted. Because mounting surfaces vary widely and the final mounting method and configuration may vary, mounting fasteners are not supplied (other than the VESA-compliant screws). HP recommends that you consult with a qualified engineering, architectural or construction professional to determine the appropriate type and quantity of mounting fasteners required for your application and to ensure that your mounting solution is properly installed to support applied loads.

Change Log

Change Log	
From v1 to v2 10/16/2015	
Changed	“HP UHD USB Graphics Adapter” to “HP Dual Output USB Graphics Adapter”.
Added	Environmental Data Specs.